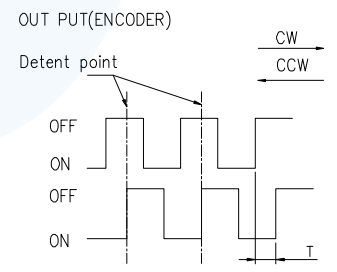
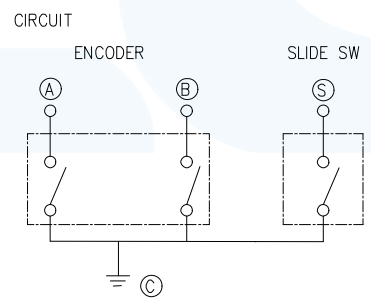
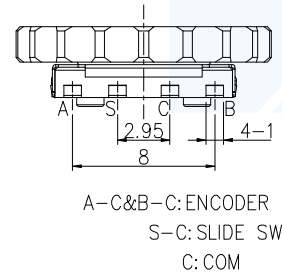
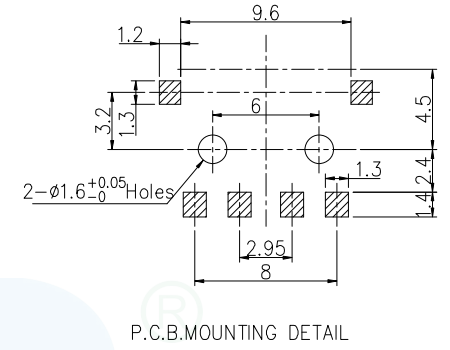
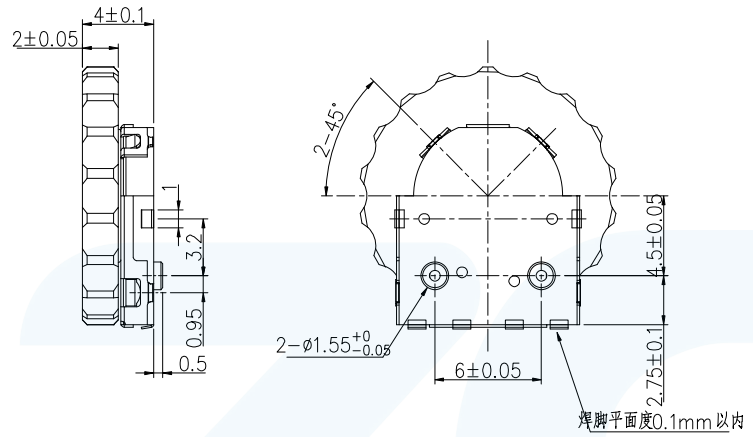
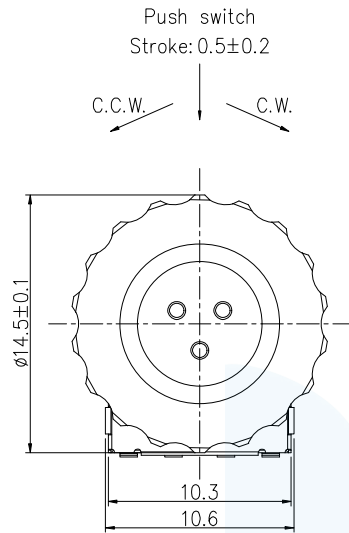


RoHS
Compliant

ZONE	EC N. NO.	DESCRIPTION	DRAWING	DATE
A		INITIAL	林生財	2024.03.12



LZG® LZG INDUSTRIAL CO. LTD

PART NAME	微动开关编码器	TOLERANCE UNLESS	0.0±0.25	0.1±2'	UNIT: mm	APPROVAL:	林生財	DATE:	2024.03.12	SCALE	1:1
PART NO.	SIQ-02FVS3	OTHERWISE SPECIFIED:	0.00±0.15 0.000±0.05	0.0±1' 0.00±0.5'			CHECK:	李宏鑫	DATE:	2024.03.12	MATERIAL

DRAWING NO.	SIQ-02FVS3	DWG. NO.	
DRAWING NO.	SIQ-02FVS3	SHEET	1/1