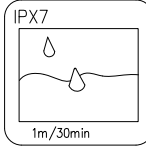
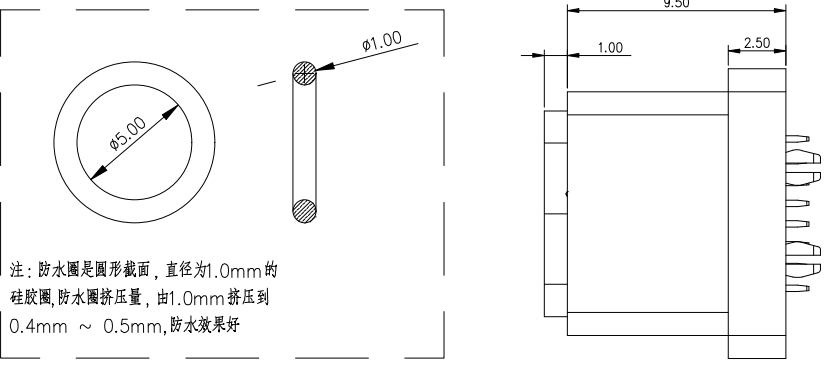


RoHS
Compliant

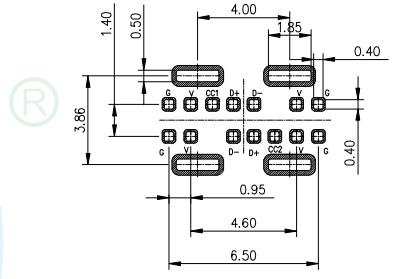
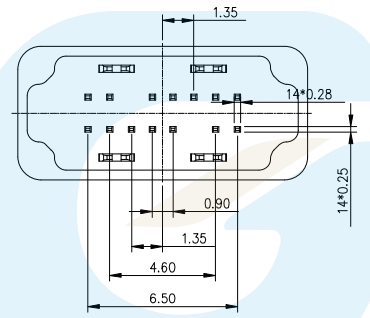
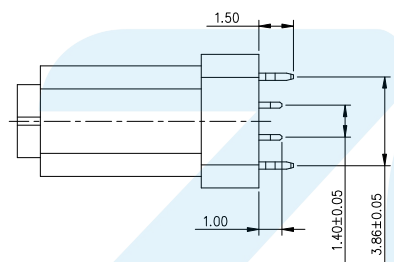
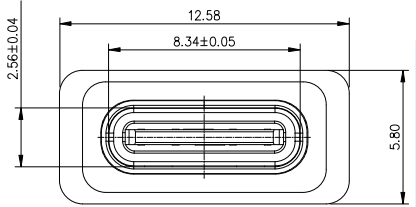


ZONE	E.C.N.O.	DESCRIPTION	DRAWING	DATE
A		INITIAL	林生财	2020.02.18

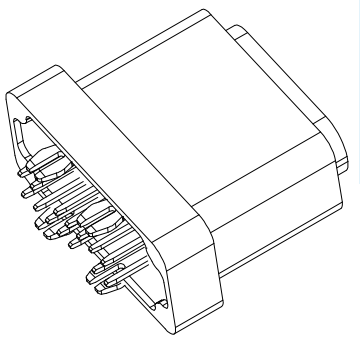
- NOTES:
SPECIFICATION:
1. CURRENT RATING: 3.0A MAX
 2. VOLTAGE: 100 VAC
 3. TEMPERATURE RANGE: -30 °C ~ 85 °C
 4. CONTACT RESISTANCE: 40 MILLIONHM MAX
 5. INSULATION RESISTANCE: 100 MEGOHMS MIN.
 6. INSERTION FORCE : 5N~20N
 7. UNMATING FORCE: 8N~20N
 8. DURABILITY: 10,000 CYCLES
 9. DUSTPROOF AND WATERPROOF GRADE IP67.



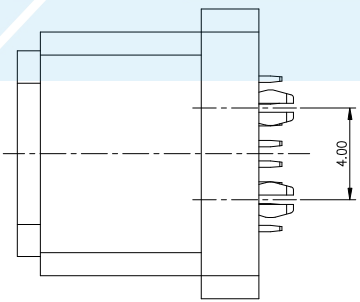
注：防水圈是圆形截面，直径为1.0mm的硅胶圈，防水圈挤压量，由1.0mm挤压到0.4mm ~ 0.5mm，防水效果好



RECOMMENDED P.C.B. LAYOUT
TOLERANCE UNSPECIFIED ±0.05mm



3D VIEW



6	WATERPROOF	SILICONE	BLACK	1PCS
5	SHELL	STAINLESS STEEL	NI Plated	1PCS
4	SHIELDING PLATE	STAINLESS STEEL	NI Plated	1PCS
3	CONTACT	COPPER ALLOY	Au/Ni Plated	1SET
2	SHELL HOUSING	PA10T	BLACK	1PCS
1	HOUSING	LCP	BLACK	1PCS
NO.	DESCRIPTION	MATERIAL	REMARKS	QTY

LZG LZG INDUSTRIAL CO. LTD

DRAWING:	林生财	DATE:	2020.02.18	SCALE:	1:1
CHECK:	李宏鑫	DATE:	2020.02.18	MATERIAL:	*
APPROVAL:	杨进宝	DATE:	2020.02.18	DWG. NO.:	
DRAWING NO.:	ZB48023-14DBAP-A			SHEET:	1/1

PART NAME	WATERPROOF TYPE C 14 PIN	TOLERANCE UNLESS	0.0±0.3	0.°±2°	UNIT: mm	
PART NO.	ZB48023-14DBAP-A	OTHERWISE SPECIFIED:	0.00±0.2 0.000±0.1	0.0°±1° 0.00°±0.5°		