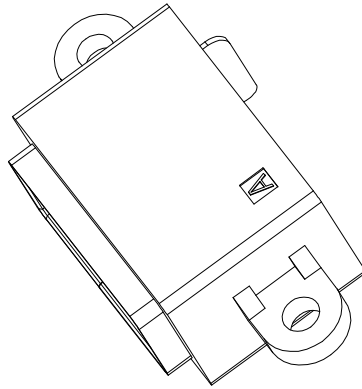
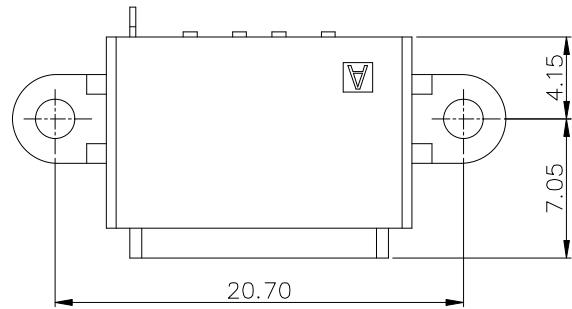


RoHS  
Compliant

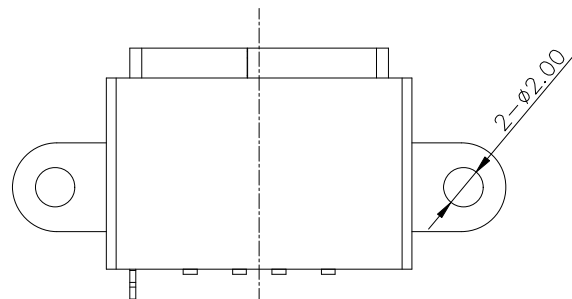
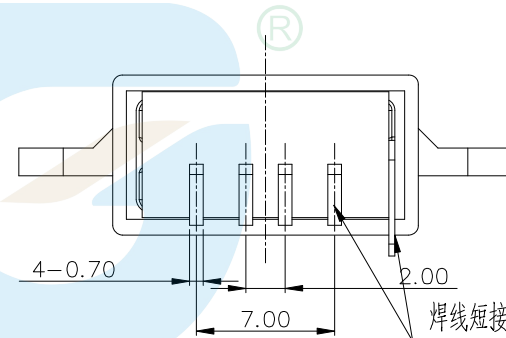
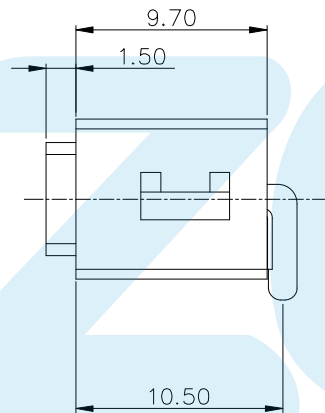
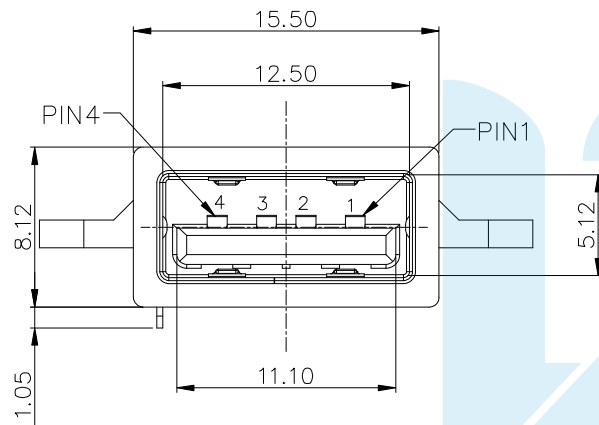
ZONE	E.C.N.O.	DESCRIPTION	DRAWING	DATE
A		INITIAL	林生財	2023.11.29



NOTES:

SPECIFICATION:

- CURRENT RATING: 3.0A MAX
- DIELECTRIC WITHSTAND VOLTAGE: 100VAC
- TEMPERATURE RANGE: -30 °C ~ 85 °C
- CONTACT RESISTANCE: 40 MILLIONHM MAX
- INSULATION RESISTANCE: 100 MEGOHMS MIN.
- INSERTION FORCE : 8N~30N
- UNMATING FORCE: 8N~30N
- DURABILITY: 5000 CYCLES



PIN ASSIGNMENT

PIN NO.	1	2	3	4
SINGAL NAME	VBUS	D-	D+	GND

4	Shell	1	SUS 304 1/4H	Ni Plating
3	PLASTIC Shell	1	PA10T (G.F30%)	BLACK UL94V-0
2	Contact	4	C7025 TM03 T=0.25mm	Au/Ni/SN Plating
1	Housing	1	PA10T (G.F30%)	BLACK UL94V-0
ITEM	PART NAME	Q'TY	FINISH	NOTE



LZG INDUSTRIAL CO. LTD

DRAWING:	林生財	DATE:	2023.11.29	SCALE:	1:1
CHECK:	李宏鑫	DATE:	2023.11.29	MATERIAL:	*
APPROVAL:	楊進堂	DATE:	2023.11.29	DWG. NO.:	
DRAWING NO.:	ZB40007-06DBAP-A			SHEET:	1/1

PART NAME	SUBSIDE USB 2.0 A TYPE KM	TOLERANCE UNLESS	0.0±0.25	0.±2°	UNIT: mm	
PART NO.	ZB40007-06DBAP-A	OTHERWISE SPECIFIED:	0.00±0.15 0.000±0.05	0.0°±1° 0.00°±0.5°		