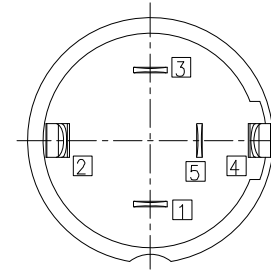
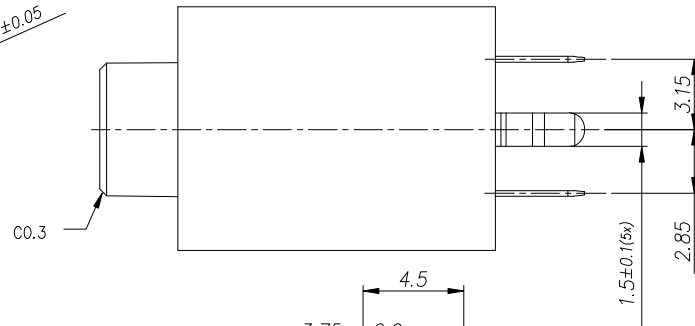
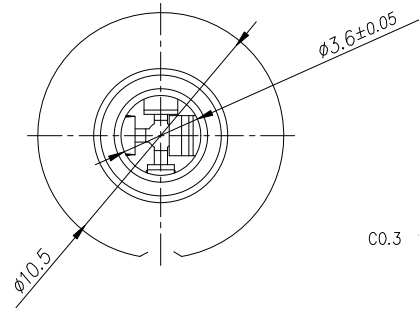


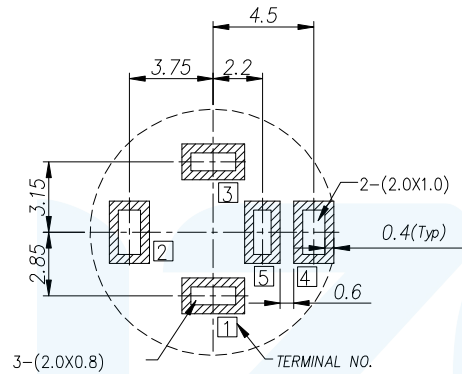
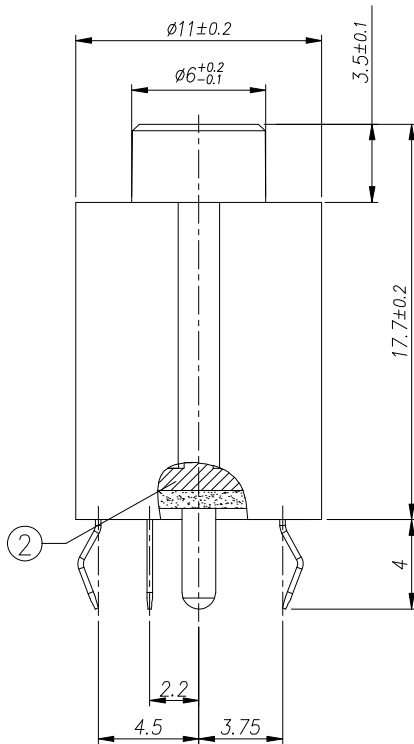
RoHS Complied

REVISIONS

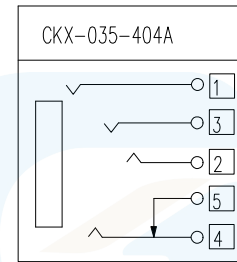
LTR	DESCRIPTION	DATE	REVISED	APPROVED



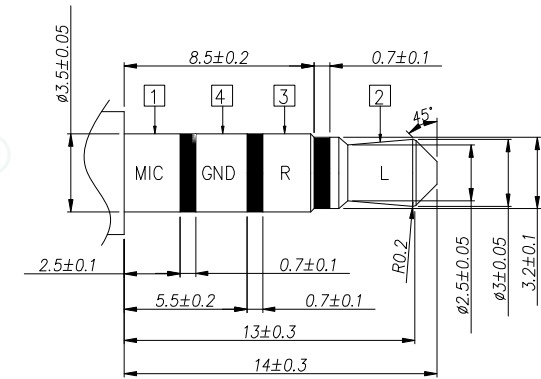
- NOTES:
1. CONTACT CURRENT RATING: 12V/1A.
 2. CONTACT RESISTANCE: 50 mΩ MAX.;
 3. INSULATION RESISTANCE: 100MΩ MIN.;
 4. DIELECTRIC WITHSTANDING: 500V AC MIN.;
 5. DURABILITY: 5,000 CYCLES MIN.;
 6. CONNECTOR MATING FORCES:
29.4N (3.00Kgf) MAX.;
 7. CONNECTOR UNMATING FORCES:
2.94N(0.30Kgf) MIN.



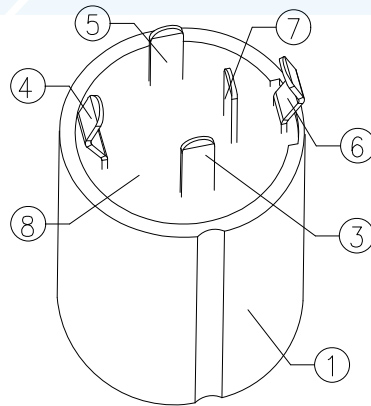
RECOMMENDED PCB LAYOUT(t=1.6)
UNSPECIFIED TOLERANCE: ±0.05
(BOTTOM VIEW)



□ : TERMINAL NO.



Matching Plug



⑧	GLUE	1	----	BLACK
⑦	SHUNT TERMINAL	⑤	1	BRASS t=0.25 Ni underplating, Sn Plating
⑥	RING SPRING-2	④	1	PHOSPHOR BRONZE t=0.25 Ni underplating, Sn Plating
⑤	RING SPRING-1	③	1	PHOSPHOR BRONZE t=0.25 Ni underplating, Sn Plating
④	TIP SPRING	②	1	PHOSPHOR BRONZE t=0.25 Ni underplating, Sn Plating
③	EARTH SPRING	①	1	PHOSPHOR BRONZE t=0.25 Ni underplating, Sn Plating
②	COVER	1	1	PBT(Black) UL 94V-0
①	HOUSING	1	1	PBT(Black) UL 94V-0
LTR	PART NAME	QTY	MATERIAL	REMARK
DSND	Michael	DATE	2013.04.06	NAME 3RD ANGLE PROJECTION Ø3.5 MINIATURE JACK
DWN	Michael	DATE	2013.05.28	
CHKD	Ares	DATE	2013.05.28	CAT NO. CKX-035-404BABZ1
APVD	YinWuHua	DATE	2013.05.28	
				DWN.NO. A-CKX-035-404BABZ1
				1/1 001

UNLESS OTHERWISE SPECIFIED, TOLERANCE ON DECIMAL: ±0.3