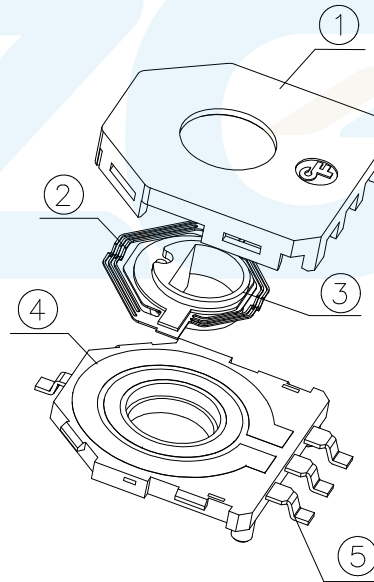
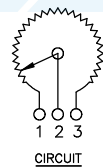
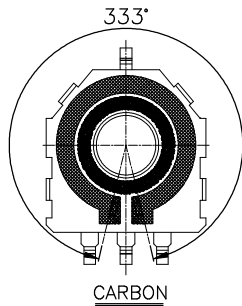
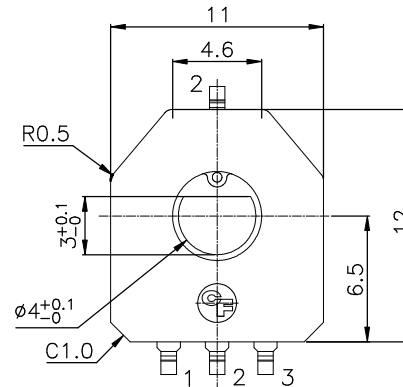
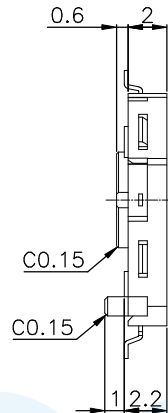
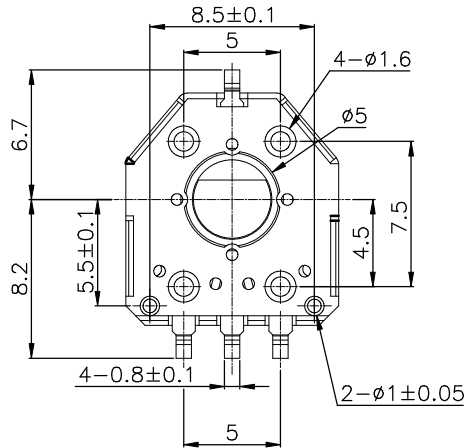
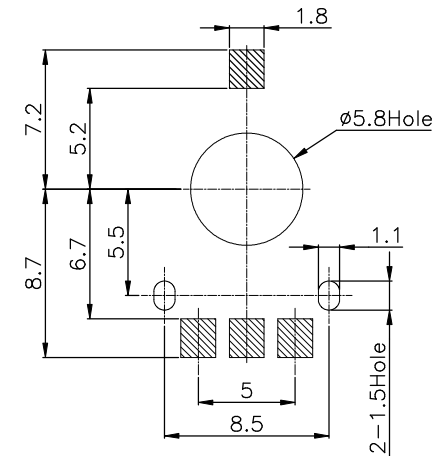


RoHS  
Compliant

ZONE	EC N. NO.	DESCRIPTION	DRAWING	DATE
A		INITIAL	林生财	2020.02.18



- 一、ELECTRICAL CHARACTERISTICS 電氣特性
  - Total Resistance 全阻值: 10K±20%
  - Resistance Taper 阻型: B
  - Angle of Effective Rotation 碳膜有效角度: 333° ±2°
  - Sliding Noise 雜音: DC10V ≤100mV
- 二、MECHANICAL CHARACTERISTICS 機械特性
  - Total Rotation Angle 全回轉角度: 360°
  - Rotational Torque 旋轉力矩: 5-30 gf.cm
  - Terminal Strength 端子強度: ≥0.6Kgf.cm
  - Push-Pull Strength of Shaft 推拔強度: ≥1Kgf.cm
- 三、ENDURANCE CHARACTERISTICS 耐久性能
  - Rotational Life 旋轉壽命: 1,000,000 cycles Min



5	导体板	黄铜	鍍銀	1
4	电阻片本体	PPS	潔淨	1
3	刷子本体	PPS	潔淨	1
2	刷子	鍍銅	鍍銀	1
1	外壳	HTN	潔淨	1
NO.	DESCRIPTION	MATERIAL	REMARKS	QTY

**LZG** LZG INDUSTRIAL CO. LTD

DRAWING:	林生财	DATE:	2020.02.18	SCALE:	1:1
CHECK:	李宏鑫	DATE:	2020.02.18	MATERIAL:	*
APPROVAL:	杨进宝	DATE:	2020.02.18	DWG. NO.:	
DRAWING NO.:	ZB1109-R-B10Ka(333)			SHEET:	1/1

PART NAME	R1109 Series	TOLERANCE UNLESS	0.0±0.35	0.°±2°	UNIT:	mm
PART NO.	ZB1109-R-B10Ka(333)	OTHERWISE SPECIFIED:	0.00±0.25	0.0°±1°		
			0.000±0.15	0.00°±0.5°		