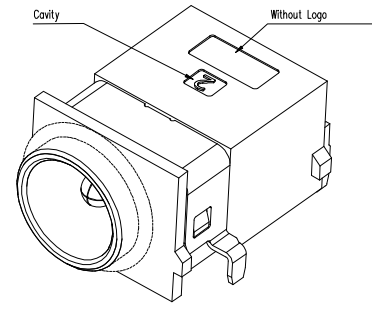
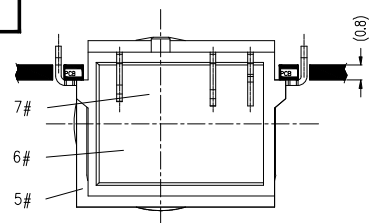
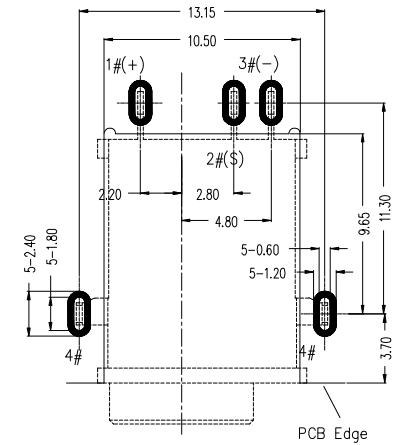
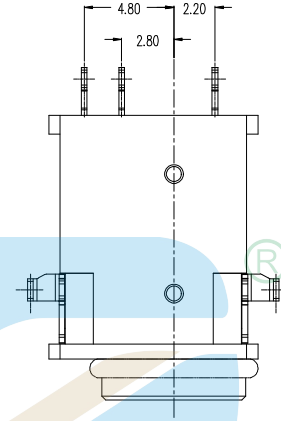
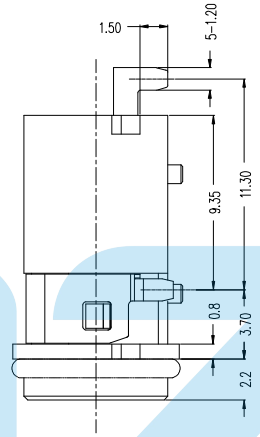
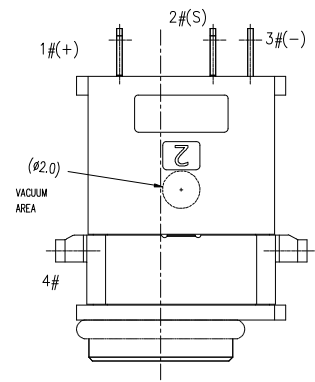


RoHS  
Compliant

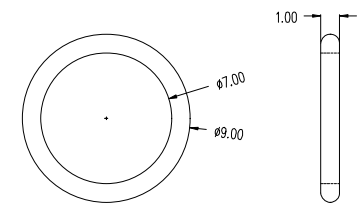
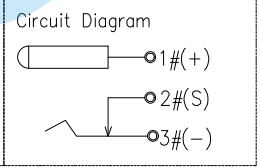
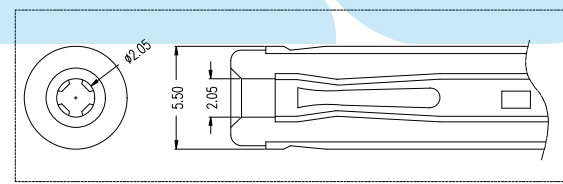
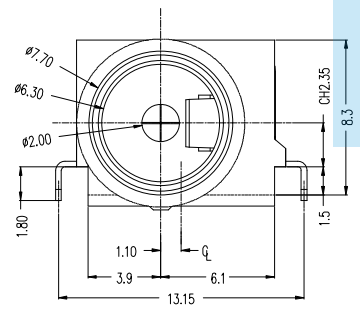
ZONE	ECN.N.O.	DESCRIPTION	DRAWING	DATE
A		INITIAL	林生財	2023.10.24



- Notes:
- 1.Current Rating: 24Vx1.5A Max.
  - 2.Contact Resistance: 50m Ohms Max.(initial)
  - 3.Insulation Resistance: 100M Ohms Min./500V DC
  - 4.Dielectric Withstanding Voltage: 500V AC/Minute
  - 5.Mating Force: 35N Max, Withdrawal Force: 3N Min.
  - 6.Durability: 5,000 Cycles
  - 7.Operating Temperature: -25°C to+85°C



RECOMMEND PCB LAYOUT  
TOLERANCE:±0.05



8	WATERPROOF RING	1	SILICONE, WHITE
7	GLUE	1	EPOXY, BLACK
6	BACK COVER	1	HIGH TEMPERATURE, BLACK
5	HOUSING	1	HIGH TEMPERATURE, BLACK
4	TERMINAL 4#	1	STAINLESS STEEL, NICKEL PLATING
3	TERMINAL 3#	1	COPPER ALLOY; NICKEL UNDERPLATING OVERALL, Au PLATING ON SOLDER AREA
2	TERMINAL 2#	1	COPPER ALLOY; NICKEL UNDERPLATING OVERALL, Au PLATING ON THE WHOLE
1	CENTER PIN	1	COPPER ALLOY; NICKEL UNDERPLATING OVERALL, Au PLATING ON SOLDER AREA
ITEM	NAME	Q'TY	DESCRIPTION

Not to install the waterproof ring shipment

WHITE WATERPROOF RING

**LZG**® LZG INDUSTRIAL CO. LTD

PART NAME	Ø2.0 DC WATERPROOF POWER JACK	TOLERANCE UNLESS	0.0±0.25	0.°±2°	UNIT: mm
PART NO.	ZB30012-05FBAP-A0	OTHERWISE SPECIFIED:	0.00±0.15	0.0°±1°	
			0.000±0.10	0.00°±0.5°	

DRAWING:	林生財	DATE:	2023.10.24	SCALE	1:1
CHECK:	李致鑫	DATE:	2023.10.24	MATERIAL	*
APPROVAL:	楊建堂	DATE:	2023.10.24	DWG. NO.	
DRAWING NO.	ZB30012-05FBAP-A0			SHEET	1/1