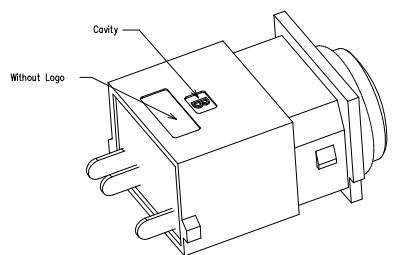
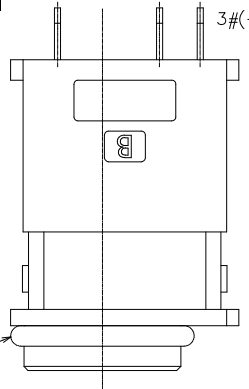
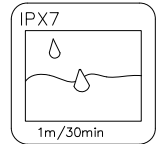


RoHS  
Compliant

1#(+)  
2#(S)  
3#(-)

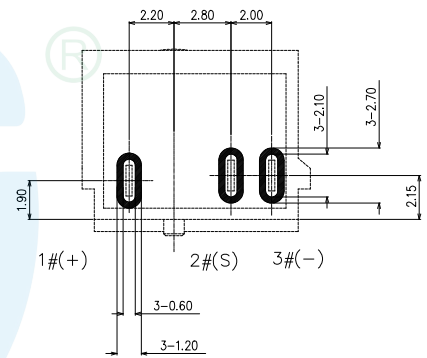
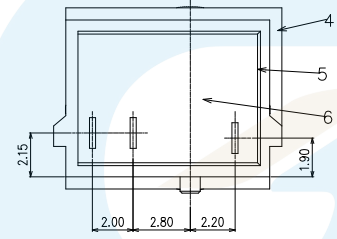
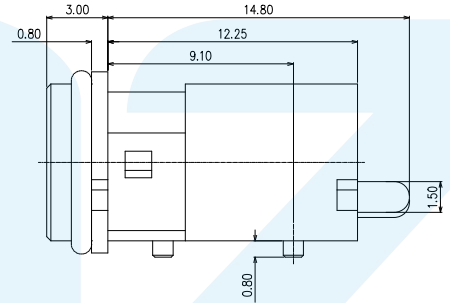
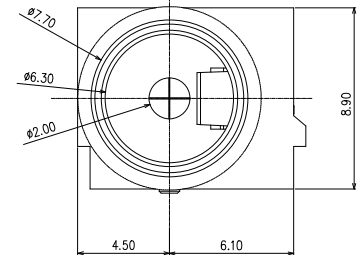


3D VIEW

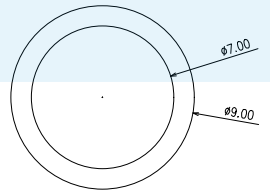
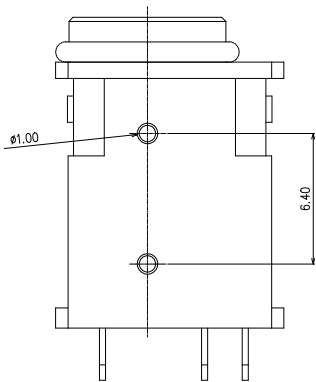


ZONE	EC.N.O.	DESCRIPTION	DRAWING	DATE
A		INITIAL	林生輝	2020.02.18

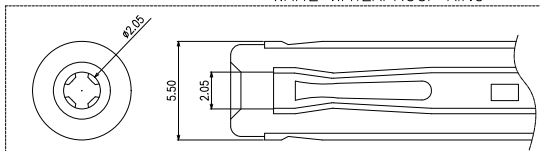
- NOTES
1. CURRENT RATING: 24V & 5A MAX.
  2. CONTACT RESISTANCE: 50mΩ MAX.
  3. INSULATION RESISTANCE: 100MΩ MIN.
  4. DIELECTRIC WITHSTANDING: 500V AC MIN.
  5. DURABILITY: 5000 CYCLES MIN.
  6. CONNECTOR MATING FORCES: 3N MIN.
  7. CONNECTOR UNMATING FORCES: 35N MAX.
  8. OPERATING TEMPERATURE: -25°C TO +85°C.
  9. WATER PROOFNESS: THIS PRODUCT IS BASED ON IPX7.



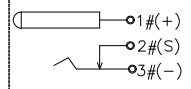
PCB LAYOUT (TOP VIEW)  
TOLERANCE: ±0.05



WHITE WATERPROOF RING



Circuit Diagram



Not to install the waterproof ring shipment

NO.	DESCRIPTION	MATERIAL	REMARKS	QTY
7	WATERPROOF RING	SILICONE	WHITE	1
6	GLUE	EPOXY	COLOR BLACK	1
5	BACK COVER	HIGH TEMPERATURE	COLOR BLACK	1
4	HOUSING	HIGH TEMPERATURE	COLOR BLACK	1
3	TERMINAL 3#	COPPER ALLOY	NICKEL UNDERPLATING OVERALL, Au PLATING ON THE SOLDER AREA	1
2	TERMINAL 2#	COPPER ALLOY	NICKEL UNDERPLATING OVERALL, Au PLATING ON THE WHOLE	1
1	CENTER PIN 1#	COPPER ALLOY	NICKEL UNDERPLATING OVERALL, Au PLATING ON THE SOLDER AREA	1



LZG INDUSTRIAL CO. LTD

PART NAME	Ø2.0 DC WATERPROOF POWER JACK	TOLERANCE UNLESS OTHERWISE SPECIFIED:	0.0±0.30 0.00±0.20 0.000±0.10	0.±2° 0.0°±1° 0.00°±0.5°	UNIT: mm
PART NO.	ZB30008-03DBAP-A				

DRAWING:	林生輝	DATE:	2020.02.18	SCALE:	1:1
CHECK:	李宏鑫	DATE:	2020.02.18	MATERIAL:	*
APPROVAL:	楊建文	DATE:	2020.02.18	DWG. NO.:	
DRAWING NO.:	ZB30008-03DBAP-A			SHEET:	1/1