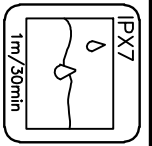
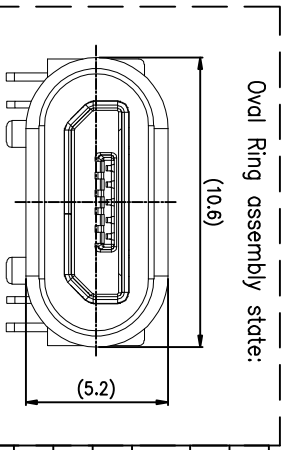
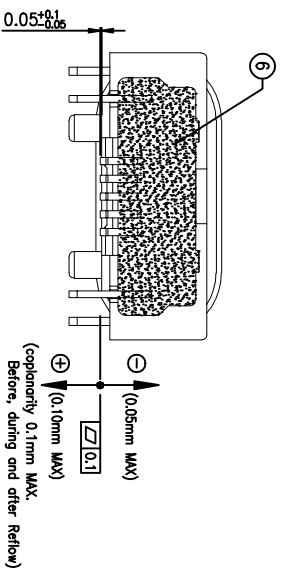


3D VIEW



- SPECIFICATIONS:
- ELECTRICAL CHARACTERISTICS:
 - RATING: 1.8A (PIN1/5), 0.5A (PIN2/3/4)
 - CONTACT RESISTANCE: 30m MAX.(INITIAL)
 - DIELECTRIC WITHSTANDING VOLTAGE: 300V AC FOR ONE MINUTE.
 - INSULATION RESISTANCE: 100M MIN. MEASURED BY 500 VDC
 - MECHANICAL CHARACTERISTICS:
 - INSERTION FORCE : 3.6 KGF (MAX)
 - WITHDRAWAL FORCE : 0.8 KGF(Reference)
 - DURABILITY: 10,000 CYCLES .
 - WATER PROOFNESS:THIS PRODUCT IS BASED ON IPX7(1m,30min)
 - PLUG INTERFACE DIMENSIONS CONFORM TO USB2.0 SPEC.
 - OVAL RING
 - The amount of low molecular silicones(0.3~0.10)is less than 200ppm
 - Hardness of silicone rubber:70°
 - FOR REFLOW SOLDERING LEAD-FREE PROCESS.
 - PACKAGING: TAPE & REEL.



NO.	DESCRIPTION	MATERIAL	REMARKS	QTY
6	BOND	-----	-----	1
5	TERMINAL	C2680 T=0.3	15% Ni(PIN 40μ or more) 2nd step(MIN 80μ or more)	2
4	CONTACT	C18140H T=0.20	Gold flash plating Matte Tin 40μ min on solder toll Nickel 40μ min plating alloyer.	5
3	SHELL	SUS 304 T=0.25	Nickel 40μ min plating all over	1
2	INSERT MOLDING	LCP U194 V-0	COLOR BLACK	1
1	HOUSING	PA9T U194 V-0	COLOR BLACK	1

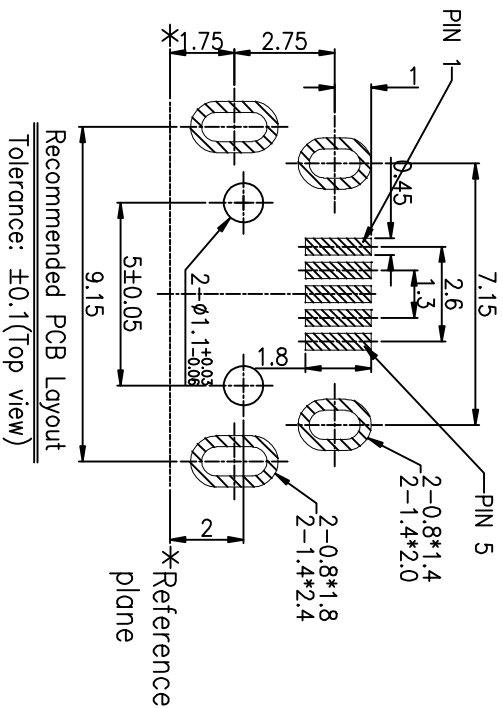
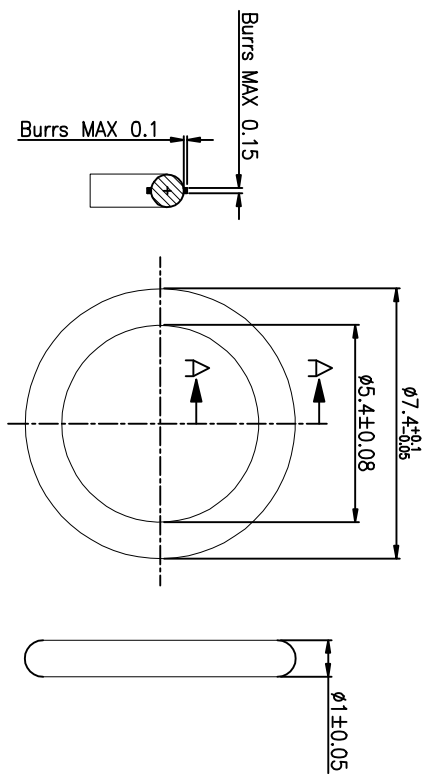
LZG INDUSTRIAL CO., LTD

PART NAME	Micro USB Waterproof Connector	TOLERANCE UNLESS OTHERWISE SPECIFIED:	0.0±0.3 0.00±0.2 0.000±0.05	0.±2° 0.0±1° 0.00±0.5°	UNIT: mm	DRAWING NO.	ZB48008-05SBAP-A	SHEET	1/2
PART NO.	ZB48008-05SBAP-A								

RoHS
Compliant

ZONE	ECN. N.O.	DESCRIPTION	DRAWING	DATE
A		INITIAL	林生财	2020.02.18

Oval ring drawing:



注防水圈不用组装在产品上, 客人单独下单出货.
Note: Waterproof ring need not assembled on the product, to form a complete set of product shipped separately.



LZG INDUSTRIAL CO., LTD

PART NAME	Micro USB Waterproof Connector	TOLERANCE UNLESS OTHERWISE SPECIFIED:	0.0 \pm 0.3 0.00 \pm 0.2 0.000 \pm 0.05	0.1 \pm 2° 0.07 \pm 1° 0.007 \pm 0.5'	UNIT: mm
PART NO.	ZB48008-05SBAP-A				

DRAWING:	林生财	DATE:	2020.02.18	SCALE	1:1
CHECK:	李楚鑫	DATE:	2020.02.18	MATERIAL	*
APPROVAL:	赖进宝	DATE:	2020.02.18	DWG. NO.	
DRAWING NO.	ZB48008-05SBAP-A	SHEET			2/2