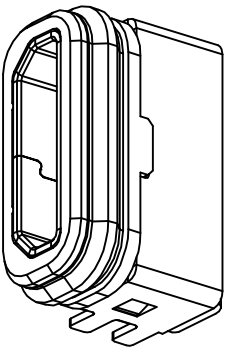


RoHS  
Compliant

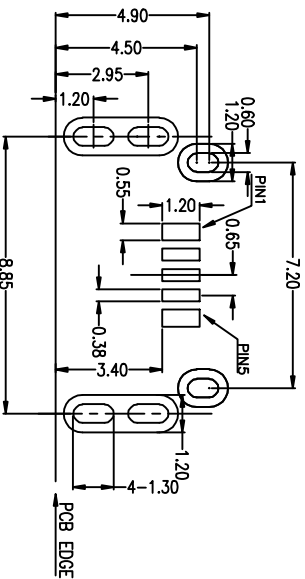
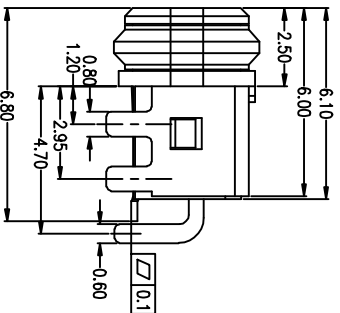
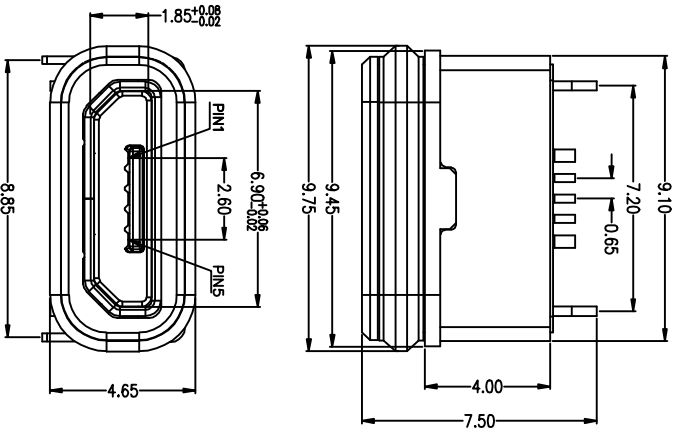


3D VIEW

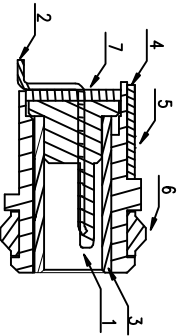
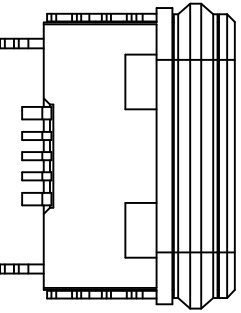


SPECIFICATIONS:

- 1 Current rating: 1.5PIN 2.0A Max/2,3,4PIN 1A Max.
- 2 Dielectric withstanding voltage: 100 V(ac) for 1 min.
- 3 Contact resistance: 30 mΩ Max.
- 4 Insulation resistance: 100 MΩ Min.
- 5 Total mating force: 3.57 Kgf Max.
- 6 Total unmating force: 1.0 Kgf Min.
- 7 Temperature range: -30°C~80°C
- 8 Waterproof: IPX8.



RECOMMENDED P.C.B. LAYOUT  
TOLERANCE UNSPECIFIED ±0.05mm



NO.	DESCRIPTION	MATERIAL	REMARKS	QTY
7	GLUE	EPOXY		1
6	RING	SILICON	COLOR BLACK	1
5	OUT SHELL	STAINLESS STEEL 0.2#	NICKEL PLATING OVERALL	1
4	COVER	HIGH TEMPERATURE PLASTIC	COLOR BLACK	1
3	SHELL	STAINLESS STEEL 0.3#	NICKEL PLATING OVERALL	1
2	CONTACT	COPPER ALLOY 0.2#	GOLD PLATING OVERALL	5
1	HOUSING	HIGH TEMPERATURE PLASTIC	COLOR BLACK	1

**LZG** INDUSTRIAL CO., LTD

PART NAME WATERPROOF MICRO USB 5P B TYPE  
PART NO. ZB43008-07DBAP-A

TOLERANCE UNLESS OTHERWISE SPECIFIED:  
0.0±0.3  
0.00±0.2  
0.000±0.1

0.±2°  
0.0°±1°  
0.00°±0.5

UNIT: mm



DRAWING: CHECK: APPROVAL: DRAWING NO.

DATE: 2020.02.18  
DATE: 2020.02.18  
DATE: 2020.02.18

SCALE 1:1  
MATERIAL  
DWG. NO.  
SHEET 1/1

F

E

D

C

B

A

4

3

2

1

4

3

2

1