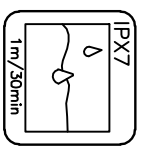
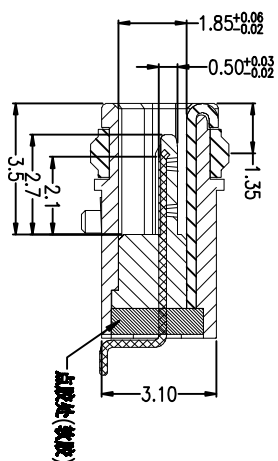
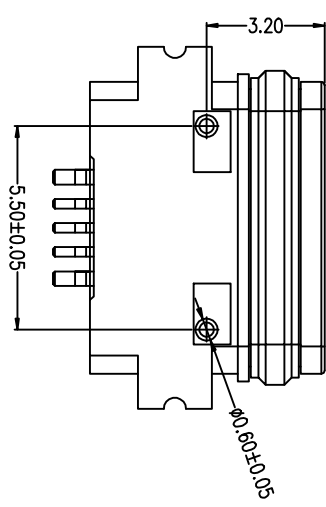
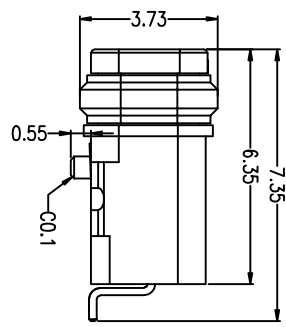
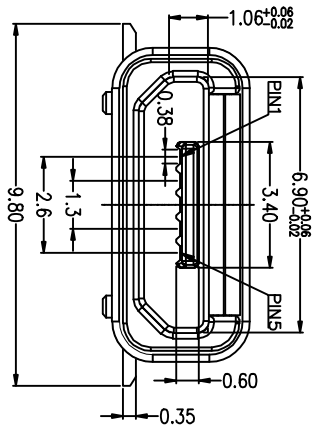
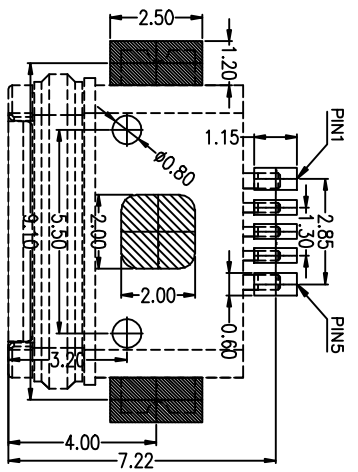


3D VIEW



- SPECIFICATIONS:
- 1 Current rating: 1.5PIN 1.8A Max/2,3,4PIN 1A Max.
  - 2 Dielectric withstanding voltage: 100 V(ac) for 1 min.
  - 3 Contact resistance: 30 mΩ Max.
  - 4 Insulation resistance: 100 MΩ Min.
  - 5 Total mating force: 3.57 Kgf Max.
  - 6 Total unmating force: 1.0 Kgf Min.
  - 7 Temperature range: -30°C~80°C
  - 8 Waterproof: IPX7.



RECOMMENDED P.C.B. LAYOUT  
TOLERANCE UNSPECIFIED ±0.05mm

6	GLUE	EPOXY	COLOR BLACK	1
5	RING	SILICON	COLOR GREEN	1
4	OUT SHELL	STAINLESS STEEL 0.25t		1
3	SHELL	STAINLESS STEEL	NICKEL PLATING OVERALL	1
2	CONTACT	COPPER ALLOY 0.2t	GOLD PLATING OVERALL	5
1	HOUSING	HIGH TEMPERATURE PLASTIC	COLOR BLACK	1
NO.	DESCRIPTION	MATERIAL	REMARKS	QTY

**LZG** INDUSTRIAL CO., LTD

PART NAME: WATERPROOF MICRO USB SP B TYPE  
PART NO.: ZB43006-06SBAP-A

TOLERANCE (UNLESS OTHERWISE SPECIFIED):  
0.04±0.3, 0.00±0.2, 0.000±0.1

0.7±0.2, 0.07±0.1, 0.00±0.5

UNIT: mm

DRAWING: 检查  
CHECK: 李发鑫  
APPROVAL: 蔡建宝

DATE: 2020.02.18  
DATE: 2020.02.18  
DATE: 2020.02.18

DRAWING NO.: ZB43006-06SBAP-A

SCALE: 1:1  
MATERIAL: \*  
DWG. NO.:  
SHEET: 1/1