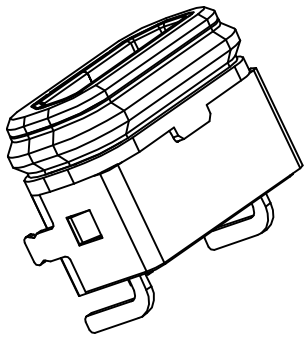


RoHS
Compliant



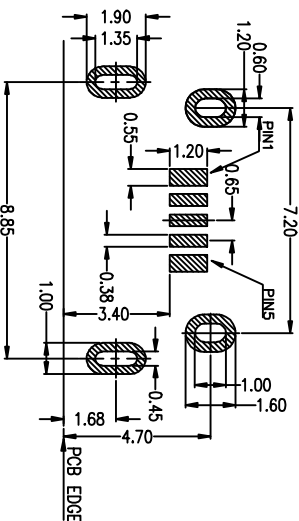
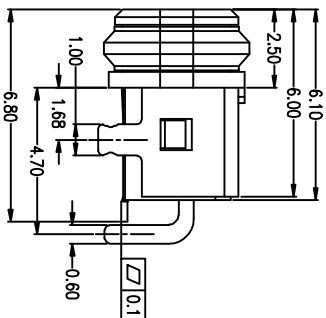
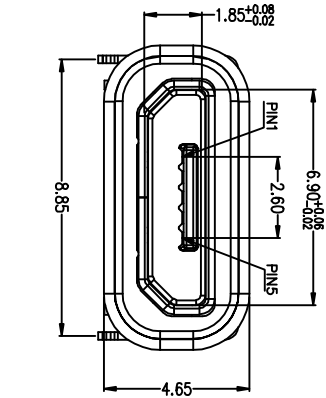
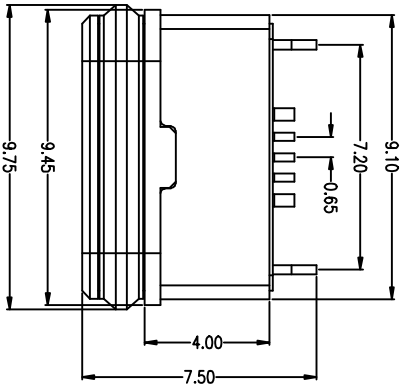
3D VIEW



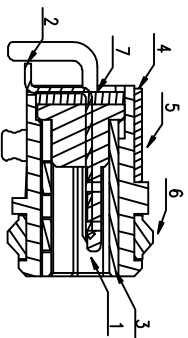
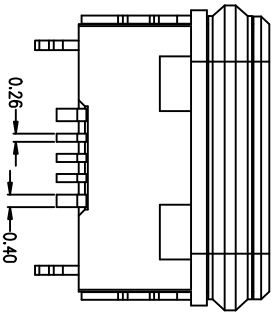
ZONE	ECN. NO.	DESCRIPTION	DRAWING	DATE
A		INITIAL	蔡生輝	2020.02.18

SPECIFICATIONS:

- 1 Current rating: 1.5PIN 2.0A Max/2,3,4PIN 1A Max.
- 2 Dielectric withstanding voltage: 100 V(ac) for 1 min.
- 3 Contact resistance: 50 mΩ Max.
- 4 Insulation resistance: 100 MΩ Min.
- 5 Total mating force: 3.57 Kgf Max.
- 6 Total unmating force: 1.0 Kgf Min.
- 7 Temperature range: -30°C~80°C
- 8 Waterproof: IPX7.



RECOMMENDED P.C.B. LAYOUT
TOLERANCE UNSPECIFIED ±0.05mm



NO.	DESCRIPTION	MATERIAL	REMARKS	QTY
7	GLUE	EPOXY	COLOR BLACK	1
6	RING	SILICON	COLOR YELLOW	1
5	OUT SHELL	STAINLESS STEEL 0.2#	NICKEL PLATING OVERALL	1
4	COVER	HIGH TEMPERATURE PLASTIC	COLOR BLACK	1
3	SHELL	STAINLESS STEEL 0.3#	NICKEL PLATING OVERALL	1
2	CONTACT	COPPER ALLOY 02#	GOLD PLATING OVERALL	5
1	HOUSING	HIGH TEMPERATURE PLASTIC	COLOR BLACK	1

DRAWING:	蔡生輝	DATE:	2020.02.18	SCALE	1:1
CHECK:	李煒豪	DATE:	2020.02.18	MATERIAL	*
APPROVAL:	蔡生輝	DATE:	2020.02.18	DWG. NO.	
DRAWING NO.	ZB45005-08SBAP-A			SHEET	1/1

LZG INDUSTRIAL CO., LTD

PART NAME WATERPROOF MICRO USB SP B TYPE

PART NO. ZB45005-08SBAP-A

TOLERANCE UNLESS OTHERWISE SPECIFIED:

0.00±0.3
0.00±0.2
0.000±0.1

0.±2
0.0±1
0.00±0.5

UNIT: mm

F

E

D

C

B

A

4

3

2

1

4

3

2

1