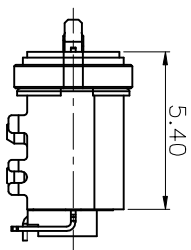
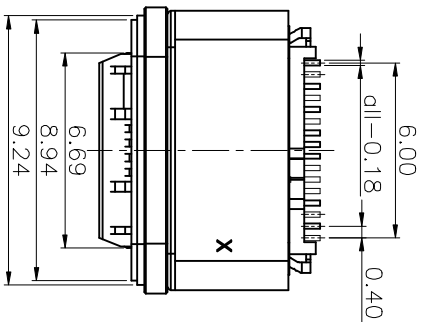
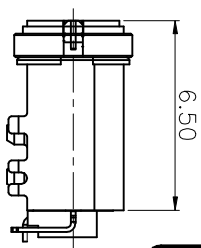


RoHS
Compliant



TYPE-C 16P 5.4L

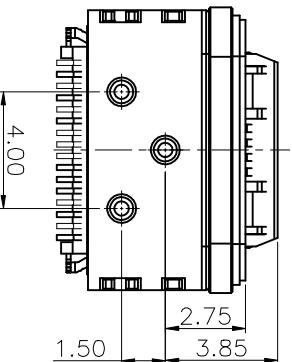
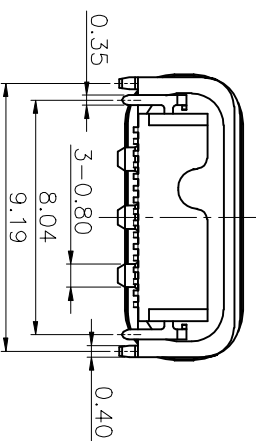
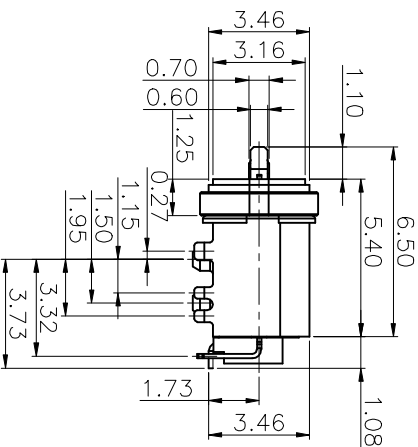
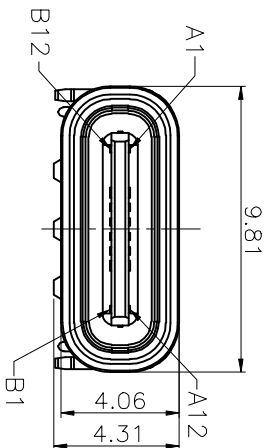


TYPE-C 16P 6.5L



SPECIFICATIONS:

1. ELECTRICAL:
 - 1.1. CONTACT CURRENT RATING 5.0A FOR VBUS AND GND(PINS A4 A9 B4 B9)
 - 1.2. INSULATION RESISTANCE: 100 MEGOHMS MIN. AT 250VDC.
 - 1.3. DIELECTRIC WITHSTANDING VOLTAGE: 100VAC MIN.
 - 1.4. LOW CONTACT RESISTANCE: INITIAL 40mΩ MAX. AFTER 50mΩ MAX.
2. MECHANICAL CHARACTERISTICS:
 - 2.1. INSERTION FORCE: 5N~20N.
 - 2.2. EXTRACTION FORCE: 8N~20N FORM 1 TO 1000CYCLES. 6~20N FORM 1001 TO 10000CYCLES.
 - 2.3. DURABILITY: 10,000 MATING CYCLES
 - 2.4. OPERATING TEMPERATURE: -55°C TO +85°C
3. COPPLANARITY: 0.08MAX.
4. INSPECTION SYMBOL: IMPORTANCE INSPECTION.
5. Waterproof Level: IPX8



Type c Pin Assignments

PIN	SIGNAL NAME	PIN	SIGNAL NAME
A1	GND	B12	GND
A2		B11	
A3	VBUS	B10	VBUS
A4	CC1	B9	CC1
A5	DP1	B8	DP2
A6	SBU1	B7	SBU2
A7	VBUS	B6	VBUS
A8		B5	
A9		B4	
A10		B3	
A11		B2	
A12	GND	B1	GND

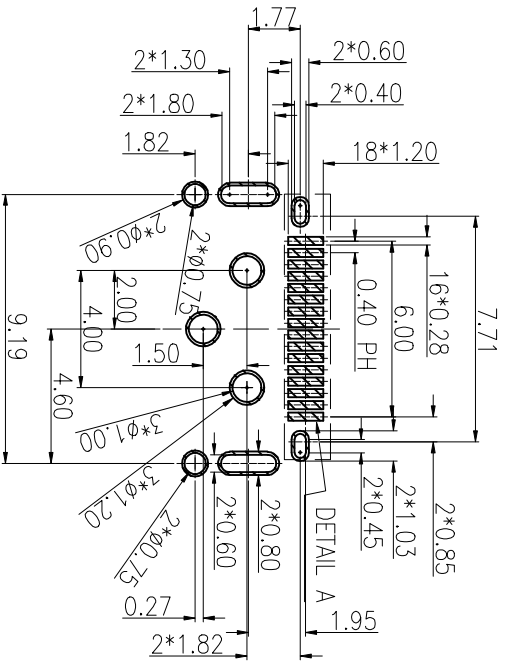
NO.	DESCRIPTION	MATERIAL	REMARKS	QTY
6	RUBBER RING	SILICA GEL	COLOR BLACK	1
5	BOTTOM CONTACT	COPPER ALLOY	SEE NOTES	8
4	TOP CONTACT	COPPER ALLOY	SEE NOTES	8
3	MID-PLATE	STAINLESS STEEL	NICKEL PLATED 50μ" MIN. OVER ALL	1
2	INSERT HOUSING	LCP 94V-0	COLOR BLACK	1
1	SHELL	STAINLESS STEEL	NICKEL PLATED 50μ" MIN. OVER ALL	1

LZG INDUSTRIAL CO. LTD

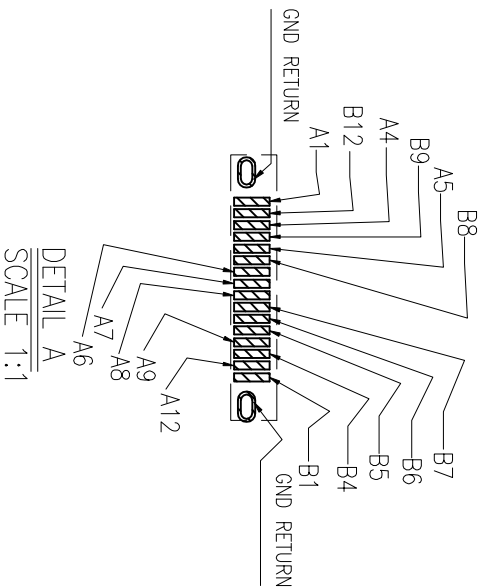
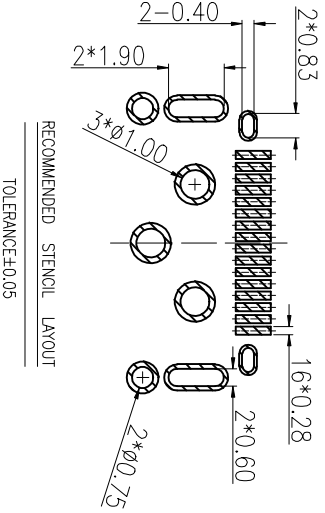
PART NAME	WATERPROOF TYPE C 16 PIN	TOLERANCE UNLESS OTHERWISE SPECIFIED:	0.04±0.38 0.00±0.25 0.000±0.13	0.±2° 0.0°±1° 0.00°±0.5°	UNIT:	mm	DRAWING NO.	ZB48030-16FBAP-A	SHEET	1/2
-----------	--------------------------	---------------------------------------	--------------------------------------	--------------------------------	-------	----	-------------	------------------	-------	-----

CHECK:	林生财	DATE:	2020.02.18	SCALE	1:1
APPROVAL:	杨进宝	DATE:	2020.02.18	MATERIAL	*

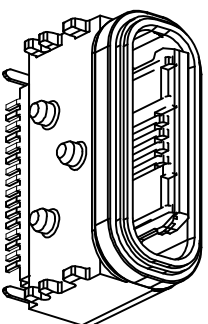
C		B		A	
ZONE	ECN. NO.	DESCRIPTION	DRAWING	DATE	
A		INITIAL	林生材	2020.02.18	



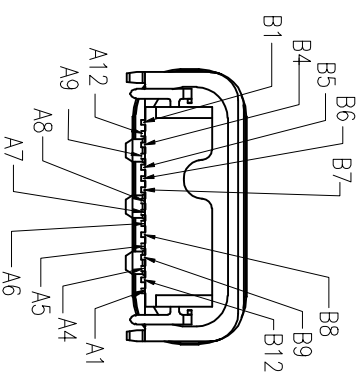
RECOMMENDED PCB LAYOUT
GENERAL TOLERANCE ±0.05



DETAIL A
SCALE 1:1



3D VIEW



LZG INDUSTRIAL CO., LTD

PART NAME WATERPROOF TYPE C 16 PIN
PART NO. ZB48030-16FBAP-A

TOLERANCE UNLESS 0.00±0.38
OTHERWISE SPECIFIED: 0.000±0.13

0.0±0.25
0.00±0.25
0.0±0.13

0.0±0.25
0.0±0.13
0.00±0.13

0.0±0.25
0.0±0.13
0.00±0.13

UNIT: mm

DRAWING: 林生材
CHECK: 李宏鑫
APPROVAL: 鞠进宝
DRAWING NO. ZB48030-16FBAP-A

DATE: 2020.02.18
DATE: 2020.02.18
DATE: 2020.02.18

SCALE 1:1
MATERIAL *
DWG. NO.
SHEET 2/2