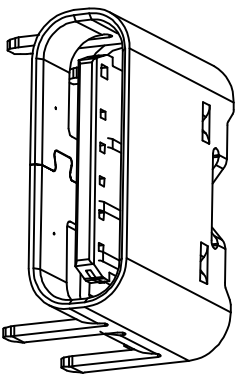
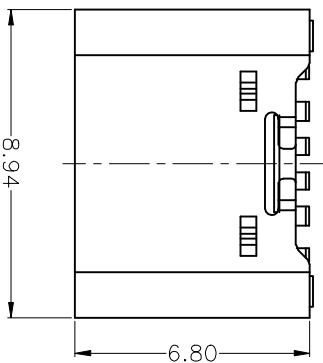
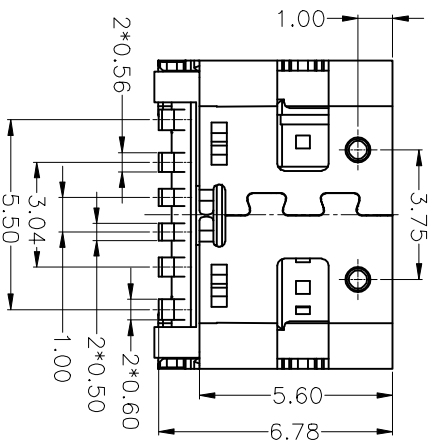
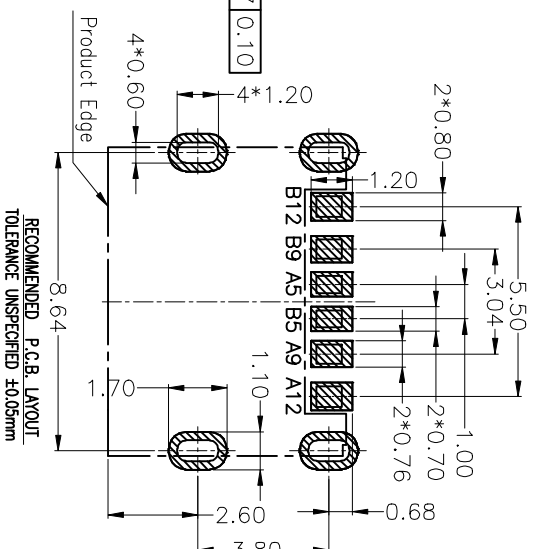
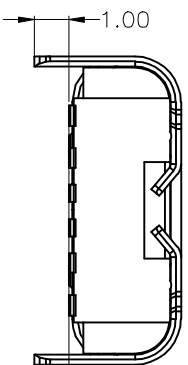
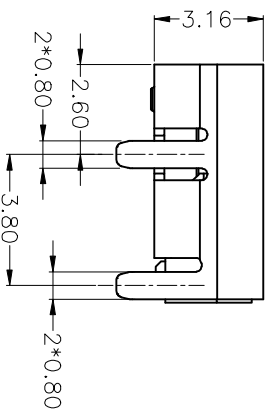
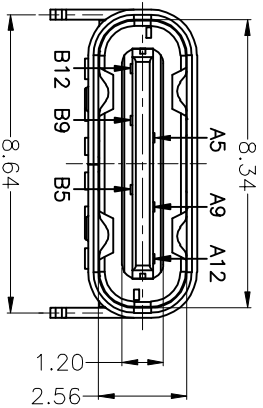


RoHS  
Compliant



3D VIEW



ZONE	ECN. NO.	DESCRIPTION	DRAWING	DATE
A		INITIAL	林生财	2020.02.18

- SPECIFICATIONS:
- CURRENT RATING: 3.0A MAX
  - DIELECTRIC WITHSTANDING VOLTAGE: 100 VAC
  - TEMPERATURE RANGE: -30 °C ~ 85 °C
  - CONTACT RESISTANCE: 40 MILLIONHM MAX
  - INSULATION RESISTANCE: 100 MEGOHMS MIN.
  - INSERTION FORCE : 5N~20N
  - UNMATING FORCE: 8N~20N
  - DURABILITY: 10000 CYCLES

NO.	DESCRIPTION	MATERIAL	REMARKS	QTY
3	SHELL	STAINLESS STEEL		1
2	CONTACT	COPPER ALLOY	Au1u"/Ni:50u" Plated	6
1	HOUSING	HIGH TEMPERATURE PLASTIC	COLOR BLACK	1

PIN	SIGNAL NAME	PIN	SIGNAL NAME
A5	CCI	B12	GND
A9	VBUS	B9	VBUS
A12	GND	B5	CC2

**LZG** INDUSTRIAL CO. LTD

PART NAME: TYPE C 6 PIN  
PART NO.: ZB48010-06SBAP-A

TOLERANCE UNLESS OTHERWISE SPECIFIED: 0.00±0.3, 0.00±0.2, 0.00±0.1

UNIT: mm

DRAWING: 林生财	DATE: 2020.02.18	SCALE: 1:1
CHECK: 李洪鑫	DATE: 2020.02.18	MATERIAL: *
APPROVAL: 杨进宝	DATE: 2020.02.18	DWG. NO.:
DRAWING NO.: ZB48010-06SBAP-A	SHEET: 1/1	