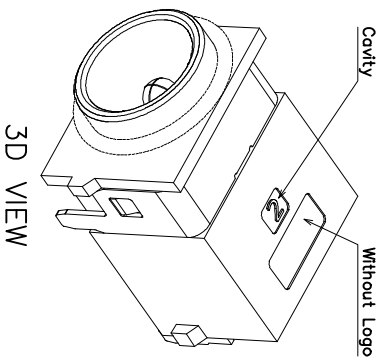
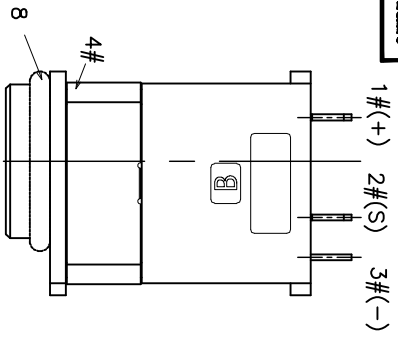
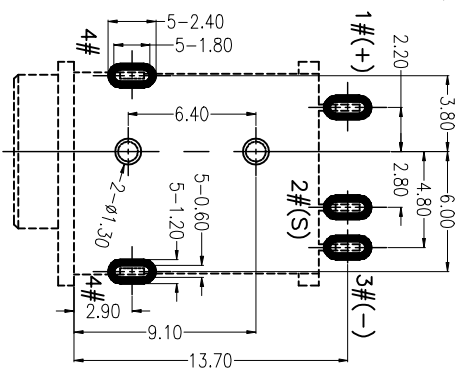
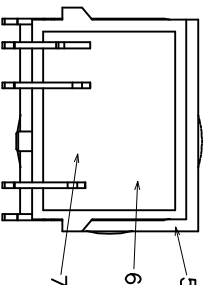
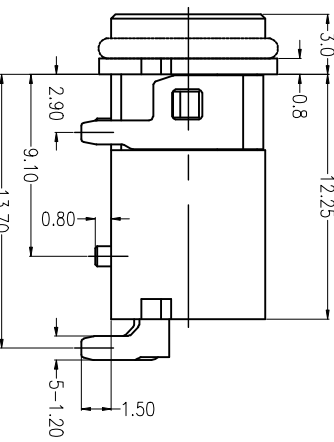
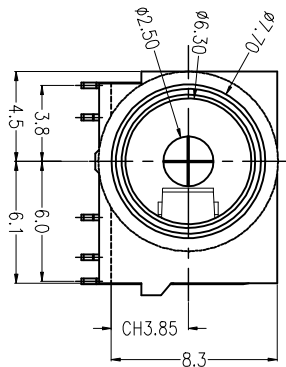


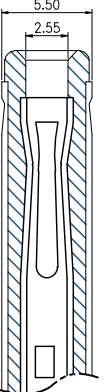
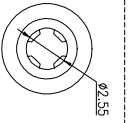
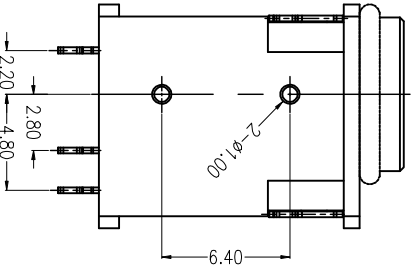
RoHS
Compliant



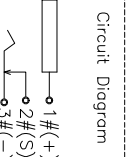
3D VIEW



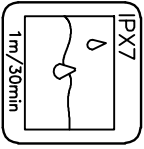
PCB LAYOUT (TOP VIEW)
TOLERANCE: ±0.05



WHITE WATERPROOF RING



Circuit Diagram



- NOTES**
1. Current Rating: 24V & 1.5A Max.
 2. Contact Resistance: 50m Ohms Max.(Initial)
 3. Insulation Resistance: 100m Ohms Min./500V DC
 4. Dielectric Withstanding Voltage: 500V AC/1Minute
 5. Mating Force: 35N Max, Withdrawal Force: 3N Min.
 6. Durability: 5,000 Cycles
 7. Operating Temperature: -25°C to+85°C
 8. WATER PROOFNESS: THIS PRODUCT IS BASED ON IPX8.

Not to install the waterproof ring shipment

NO.	DESCRIPTION	MATERIAL	REMARKS	QTY
1	WATERPROOF RING	SILICONE	WHITE	1
2	GLUE	EPOXY	COLOR BLACK	1
3	BACK COVER	HIGH TEMPERATURE	COLOR BLACK	1
4	HOUSING	HIGH TEMPERATURE	COLOR BLACK	1
5	TERMINAL 4#	STAINLESS STEEL	NICKEL UNDERPLATING OVERALL, Au PLATING ON THE SOLDER AREA	1
6	TERMINAL 3#	COPPER ALLOY	NICKEL UNDERPLATING OVERALL, Au PLATING ON THE SOLDER AREA	1
7	TERMINAL 2#	COPPER ALLOY	NICKEL UNDERPLATING OVERALL, Au PLATING ON THE SOLDER AREA	1
8	CENTER PIN	COPPER ALLOY	NICKEL UNDERPLATING OVERALL, Au PLATING ON THE SOLDER AREA	1

LZG INDUSTRIAL CO., LTD

PART NAME: 92.5 DC WATERPROOF POWER JACK
PART NO.: ZB30006-05DBAP-A

TOLERANCE UNLESS OTHERWISE SPECIFIED:

0.0H±0.30
0.00±0.0
0.000±0.0

0.1±2
0.0±1
0.00±0.5

UNIT: mm



DRAWING: 林生財
CHECK: 李森雄

APPROVAL: 林生財
DRAWING NO.: ZB30006-05DBAP-A

DATE: 2020.02.18

DATE: 2020.02.18

DWG. NO.:

SHEET 1/1

SCALE 1:1

MATERIAL

F

E

D

C

B

A

4

2

1

4

2

1

3