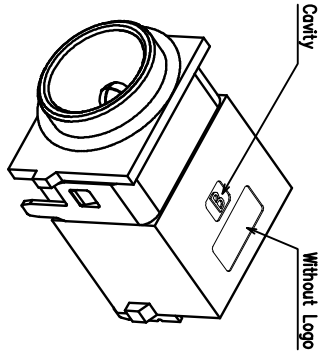
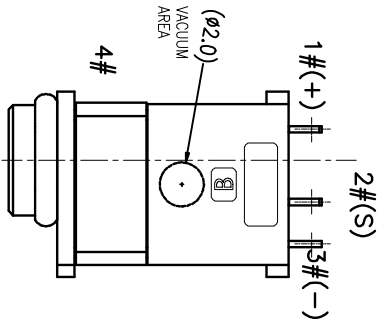
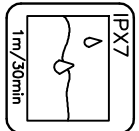


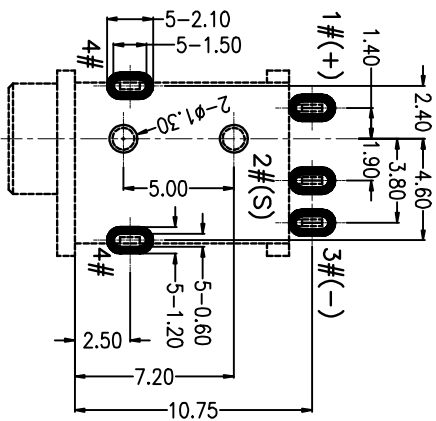
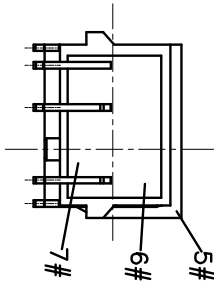
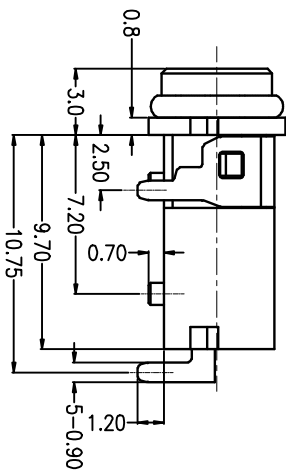
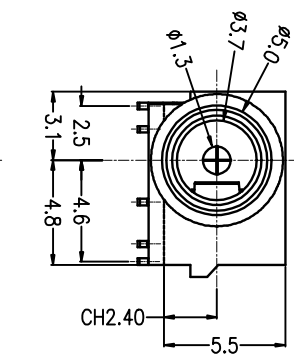
RoHS  
Compliant



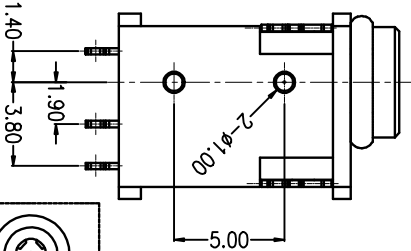
3D VIEW



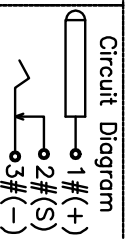
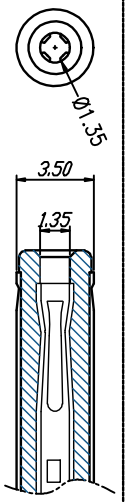
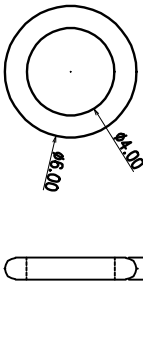
- NOTES
1. CURRENT RATING: 24V & 1.5A MAX.
  2. CONTACT RESISTANCE: 50mΩ MAX.
  3. INSULATION RESISTANCE: 100MΩ MIN.
  4. DIELECTRIC WITHSTANDING: 500V AC MIN.
  5. DURABILITY: 5000 CYCLES MIN.
  6. CONNECTOR MATING FORCES: 3N MIN.
  7. CONNECTOR UNMATING FORCES: 35N MAX.
  8. OPERATING TEMPERATURE: -25°C TO +85°C.
  9. WATER PROOFNESS: THIS PRODUCT IS BASED ON IPX7.



PCB LAYOUT (TOP VIEW)  
TOLERANCE: ±0.05

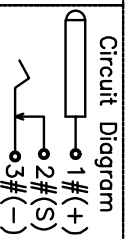


WHITE WATERPROOF RING



Not to install the waterproof ring shipment

NO.	DESCRIPTION	MATERIAL	REMARKS	QTY
1	WATERPROOF RING	SILICONE	WHITE	1
2	GLUE	EPOXY	COLOR BLACK	1
3	BACK COVER	HIGH TEMPERATURE	COLOR BLACK	1
4	HOUSING	HIGH TEMPERATURE	COLOR BLACK	1
1	TERMINAL 4#	STAINLESS STEEL	NICKEL PLATING OVERALL	1
3	TERMINAL 3#	COPPER ALLOY	NICKEL UNDERPLATING OVERALL, Au PLATING ON THE SOLDER AREA	1
2	TERMINAL 2#	COPPER ALLOY	NICKEL UNDERPLATING OVERALL, Au PLATING ON THE WHOLE	1
1	GENYER PIN	COPPER ALLOY	NICKEL UNDERPLATING OVERALL, Au PLATING ON THE SOLDER AREA	1



PART NAME  
PART NO.

Ø1.3 DC WATERPROOF POWER JACK  
ZB30002-05DBAP-A

TOLERANCE UNLESS OTHERWISE SPECIFIED:

0.04±0.25  
0.00±0.0  
0.000±0.0

0.±2°  
0.0°±1°  
0.00°±0.5'

UNIT:  
mm

DRAWING NO.

ZB30002-05DBAP-A

DATE: 2020.02.18

DATE: 2020.02.18

DATE: 2020.02.18

SCALE 1:1

**LZG INDUSTRIAL CO. LTD**

CHECK: 李生輝

DATE: 2020.02.18

DATE: 2020.02.18

DATE: 2020.02.18

SCALE 1:1

MATERIAL \*

4

4

2

2

1

1

F

E

D

C

B

A

ZONE A  
E.C.N.O. INITIAL

DESCRIPTION INITIAL

DRAWING DATE

2020.02.18

F

E

D

C

B

A

李生輝

2020.02.18

2020.02.18

2020.02.18

1/1