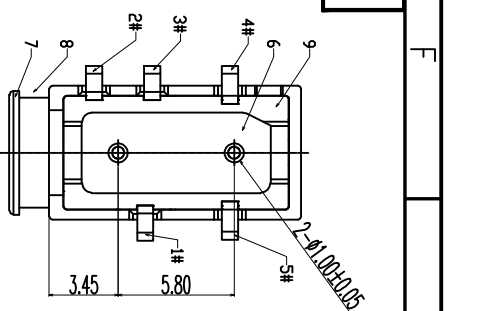
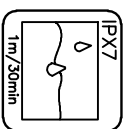
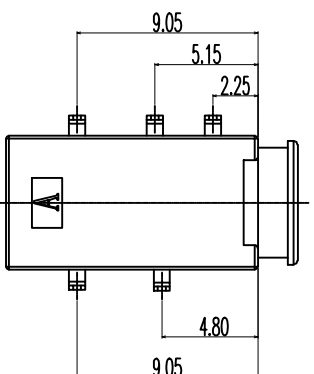
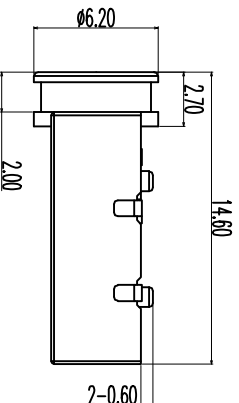
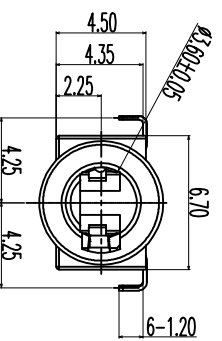
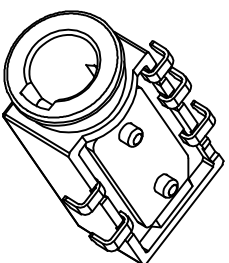


RoHS
Compliant

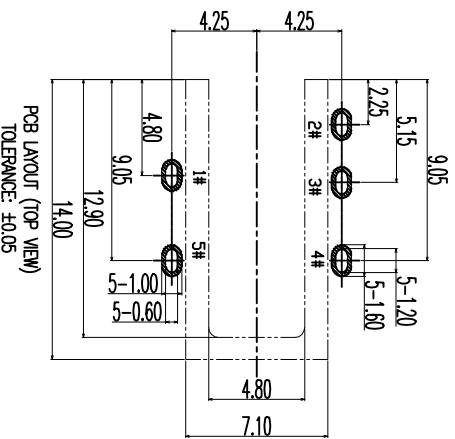


3D VIEW

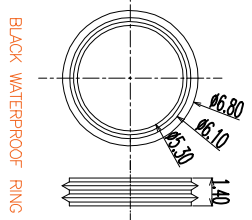
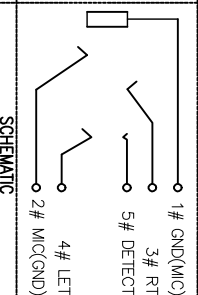
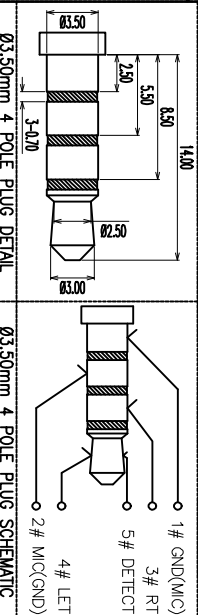


NOTES

1. CURRENT RATING: 1A.
2. CONTACT RESISTANCE: 100mΩ MAX.
3. INSULATION RESISTANCE: 100MΩ MIN.
4. DIELECTRIC WITHSTANDING: 500V AC MIN.
5. DURABILITY: 5000 CYCLES MIN.
6. CONNECTOR MATING FORCES: 3~30N.
7. CONNECTOR UNMATING FORCES: 3~30NXX.
8. SALT SPRAY: 24-HOUR
9. WATERPROOF LEVEL: IP67.
10. OPERATING TEMPERATURE: -25℃ TO +85℃.



Not to install the waterproof ring shipment



| NO. | DESCRIPTION | MATERIAL | REMARKS | QTY |
|-----|-----------------|------------------|---|-----|
| 9 | GLUE | EPOXY | COLOR BLACK | 1 |
| 8 | WATERPROOF RING | SILICONE | COLOR BLACK | 1 |
| 7 | HOUSING | HIGH TEMPERATURE | COLOR BLACK | 1 |
| 6 | COVER | HIGH TEMPERATURE | COLOR BLACK | 1 |
| 5 | TERMINAL 5# | STAINLESS STEEL | NICKEL UNDERPLATING OVERBALL, GOLD FLASH PLATING ON THE SOLDER & CONTACT AREA | 1 |
| 4 | TERMINAL 4# | STAINLESS STEEL | NICKEL UNDERPLATING OVERBALL, GOLD FLASH PLATING ON THE SOLDER & CONTACT AREA | 1 |
| 3 | TERMINAL 3# | PHOSPHOR BRONZE | NICKEL UNDERPLATING OVERBALL, GOLD FLASH PLATING ON THE SOLDER & CONTACT AREA | 1 |
| 2 | TERMINAL 2# | PHOSPHOR BRONZE | NICKEL UNDERPLATING OVERBALL, GOLD FLASH PLATING ON THE SOLDER & CONTACT AREA | 1 |
| 1 | TERMINAL 1# | STAINLESS STEEL | NICKEL UNDERPLATING OVERBALL, GOLD FLASH PLATING ON THE SOLDER & CONTACT AREA | 1 |

03.50mm 4 POLE PLUG DETAIL

03.50mm 4 POLE PLUG SCHEMATIC

SCHEMATIC

BLACK WATERPROOF RING

4

3

2

1



LZG INDUSTRIAL CO. LTD

PART NAME: WATERPROOF 03.5 PHONE JACK
PART NO.: ZB23006-05DBAP-A

TOLERANCE UNLESS OTHERWISE SPECIFIED: 0.000±0.10

0.0±0.25, 0.00±0.15, 0.0±0.1, 0.0±0.1, 0.00±0.5

UNIT: mm

APPROVAL: 杨进宝

DATE: 2020.02.18

DWG. NO. SHEET 1/1

| ZONE | EC N.O. | DESCRIPTION | DRAWING | DATE |
|------|---------|-------------|---------|------------|
| A | INITIAL | 杨进宝 | | 2020.02.18 |